

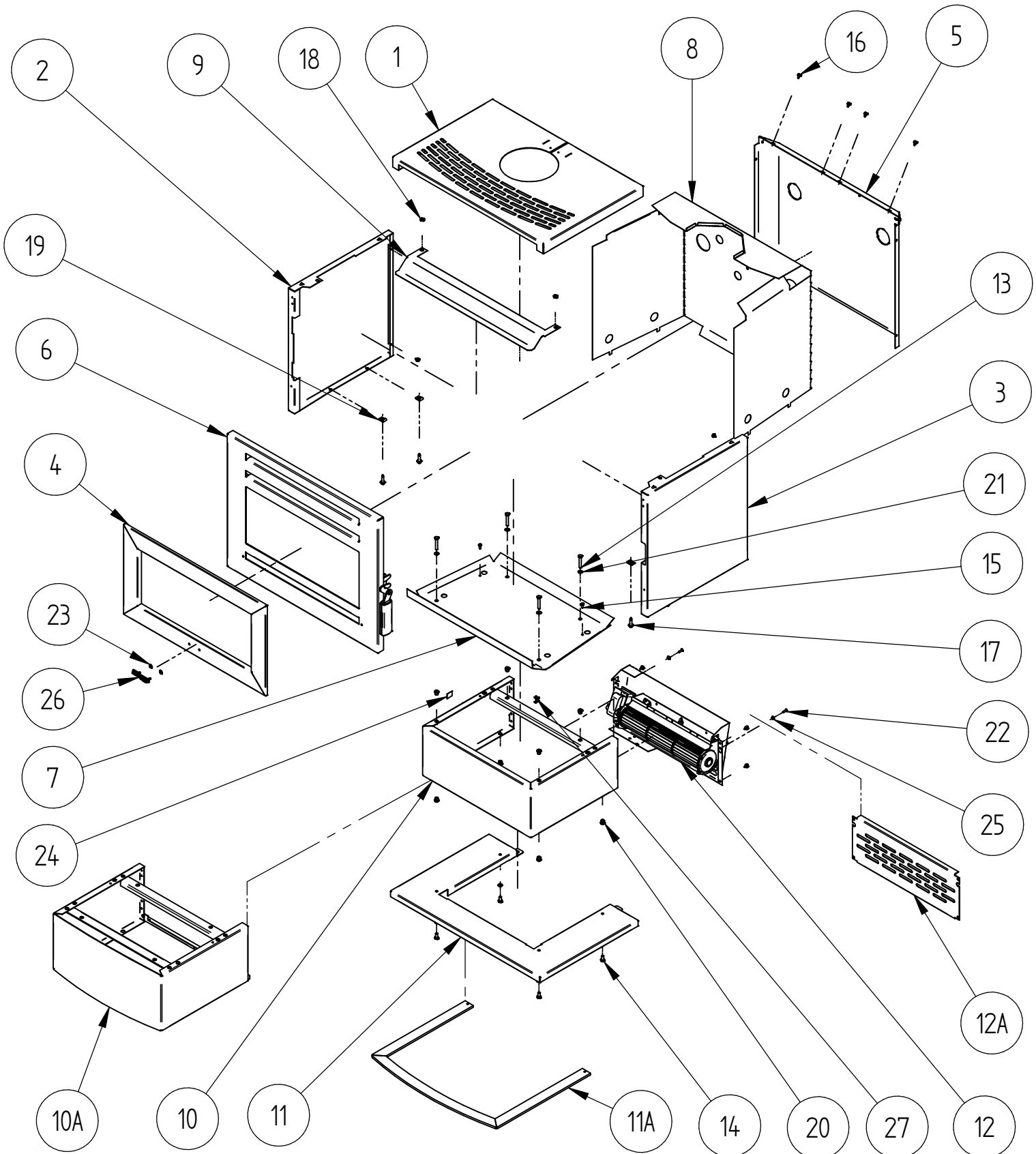
Masport[®] Heating

FREESTANDING WOOD FIRES

F2000 - AUSTRALIA					
Item No.	MARKET	FUEL TYPE	FINISH	YEAR	FAN
987961	AU	HARDWOOD	Charcoal VHT Paint	MAR-2009	Optional
987963			Matt Black - Titanium Enamel		
987966			Charcoal VHT Paint	JUN - 2011	Yes
987967			Matt Black - Titanium Enamel	DEC - 2011	
987968			Matt Black - Black Enamel	DEC - 2013	



PANELS, DOOR AND PEDESTAL

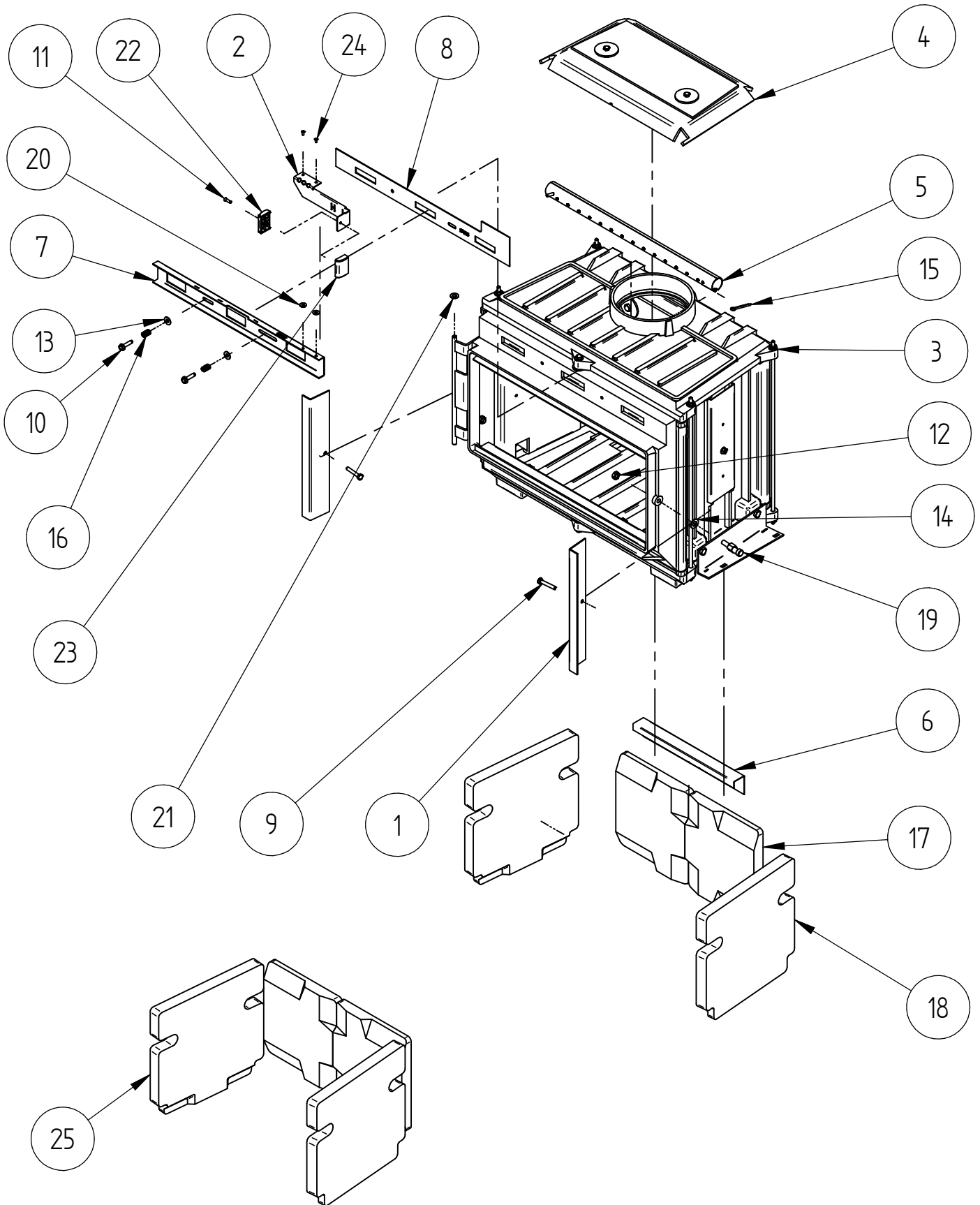


When ordering PLEASE QUOTE PART ID along with Finish Suffix (if applicable)

PANELS, DOOR AND PEDESTAL								
Item	Part ID	Model(s)					Description	Qty
		987961	987963	987966	987967	987968		
1	994201	V05	E01	V05	E01	E01	TOP PANEL ASSY F2000	1
2	994202	V05	E01	V05	E01	E01	PANEL - SIDE, LH F2000	1
3	994203	V05	E01	V05	E01	E01	PANEL - SIDE, RH F2000	1
4	994206	V05	V04	V05	V04	V04	TRIM- DOOR, ASSY. F2000	1
5	994211	V05	P01	V05	P01	P01	PANEL-REAR F2000 BLU/BLK P/C	1
6	994204	-	-N/A-	-	-N/A-	-N/A-	SEE DOOR ASSEMBLY PAGE	1
	994212	-N/A-	-	-N/A-	-	-		1
7	994213	-	-	-	-	-	F2000 HEATSHIELD - BOTTOM	1
8	994214	-	-	-	-	-	HEAT SHIELD, SIDE & REAR ASSY	1
9	994225	V05	V05	V05	V05	-N/A-	DEFLECTOR PANEL - F2000	1
10	994269	-	-	-	-	P02	F2000 FLAT PED ASSY	1
10A	994250	V05	P02	V05	P02	-N/A-	F2000 CURVED PED ASSY	1
11	994267	-N/A-	-N/A-	-N/A-	-N/A-	P02	F2000 AU PED FLAT FOOT	1
11A	994719	V05	P02	V05	P02	-N/A-	F2000 AU PED CURVED FOOT	1
12	994801	-N/A-	-N/A-	P02	P02	P02	FAN ASSEMBLY COMPL F2000	1
12A	994706	V05	P02	-N/A-	-N/A-	-N/A-	PANEL-PED,BACK F2000	1
13	521060	-	-	-	-	-	SCREW; M6X35 HEX ZP	4
14	521075	-	-	-	-	-	SCREW; M6X12 HEX ZP	4
15	521605	-	-	-	-	-	SCREW; S/T 10GX1/2" PAN POZI ZP	2
16	521635	-	-	-	-	-	SCREW; S/T 10GX3/8" HEX FLANGE BLK	12
17	521637	-	-	-	-	-	SCREW; S/T 12GX25 TIMBERTITE	4
18	522117	-	-	-	-	-	NUT; HEX STD M6 ZP	2
19	522402	-	-	-	-	-	NUT; SPIRE SNU0537	4
20	522605	-	-	-	-	-	NUT; RIVNUT STD/FLANGE M6	8
21	523031	-	-	-	-	-	WASHER; FLAT M6 ZP	8
22	524006	-	-	-	-	-	RIVET; 73 AS 5-5	2
23	526001	-	-	-	-	-	CLIP; STARLOCK 4 DIA SLP04	2
24	585631	-	-	-	-	-	DECAL EARTH	1
25	586149	-	-	-	-	-	SPACER-FRONT PANEL	2
26	587836	-	-	-	-	-	BADGE MASPORT CAST	1
27	596603	-N/A-	-N/A-	-N/A-	-N/A-	-	EARTH TAB RIVET BN11	1
	993789	-N/A-	-N/A-	-	-	-N/A-	EARTH CONNECTION SET	1

When ordering PLEASE QUOTE PART ID along with Finish Suffix (if applicable)

AIRSLIDE, BAFFLE, BRICKS AND FIREBOX



When ordering PLEASE QUOTE PART ID along with Finish Suffix (if applicable)

AIRSLIDE, BAFFLE, BRICKS AND FIREBOX								
Item	Part ID	Models					Description	Qty
		987961	987963	987966	987967	987968		
1	987549	V02	V02	V02	V02	V02	RETAINER - FIRE BOARD	2
2	993488	-	-	-	-	-	F7000 & F2000 EXTENSION - AIRSLIDE	1
3	994234	-	-	-	-	-	F/B ASSY F2000 AU	1
4	994239	V02	V02	V02	V02	V02	STEEL BAFFLE ASSY F2000	1
5	994254	-	-	-	-	-	TUBE-SEC AIR ASSY - F2000	1
6	994258	-	-	-	-	-	CHANNEL BRICK RETAINER F2000	1
7	994262	-	-	-	-	-	SLIDE - AIR INLET 20 X 50 RECT F2000 AU	1
8	994265	-	-	-	-	-	PLATE,BACK-METER F2000 AU	1
9	521060	-	-	-	-	-	SCREW; M6X35 HEX ZP	2
10	521633	-	-	-	-	-	SCREW; S/T M6X25 HEX FLANGE TAPTITE	2
11	521650	-	-	-	-	-	SCREW; 6Gx1/2" S/S TYPE 25 C/S POZI	1
12	522118	-	-	-	-	-	NUT; HEX STD M8 ZP	1
13	523007	-	-	-	-	-	WASHER; FLAT 1/4"X5/8"X0.049" ZP	2
14	523021	-	-	-	-	-	WASHER; FLAT M10X19X1.6 ZP	1
15	525105	-	-	-	-	-	COTTER PIN 5.0X40 ZP	1
16	585223	-	-	-	-	-	SPRING-COMPRESSIONAIR INLET	2
17	587807	-	-	-	-	-	BRICK-F/B, LE2, LE3, 09	2
18	587808	-	-	-	-	-	BRICK-F/B,SIDE, LE2000,09	2
19	594520	-	-	-	-	-	PIN DOOR LATCH, LE3000	1
20	523000	-	-	-	-	-	WASHER; FLAT 3/16"X1/2"X18G ZP	2
21	523019	-	-	-	-	-	WASHER; FLAT 5/16"X5/8"X16G ZP	1
22	593651	-	-	-	-	-	AIRSLIDE KNOB BOTTOM LH	1
23	593652	-	-	-	-	-	AIRSLIDE KNOB TOP R/H PLAIN	1
24	524008						RIVET; 73 MS 4-2	2
25*	787844	-	-	-	-	-	BRICK KIT F2000	1

***Optional Sale Kit**

Note: Mar 14 onwards old wooden knobs were replaced by plastic knobs.

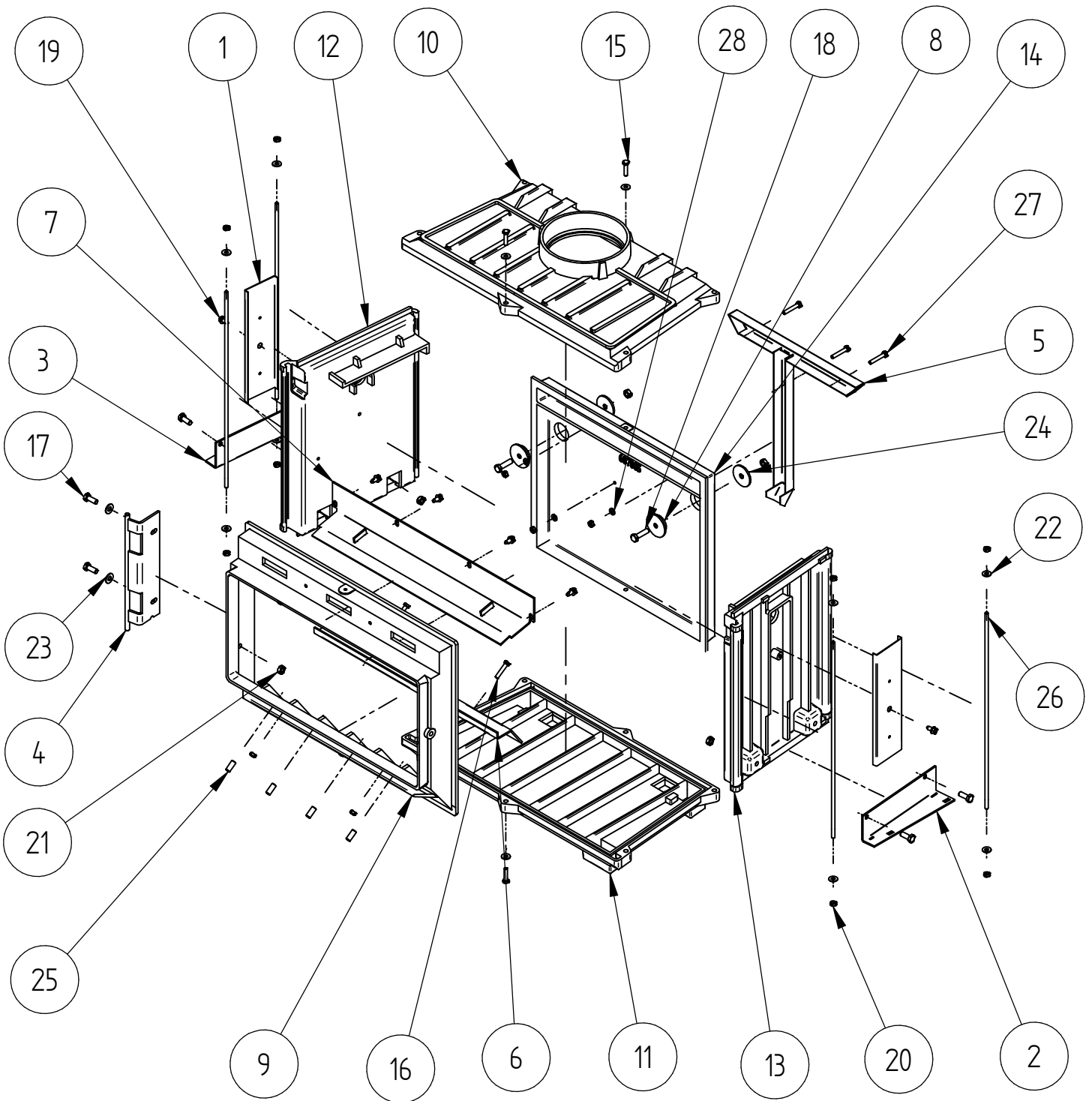
Old wooden knob parts:

1 X 986162 Air control knob

1 X 521642 Screw

Contact Customer service/Engineering Dept. for details of wooden knob system (Issue A).

FIREBOX DETAILS

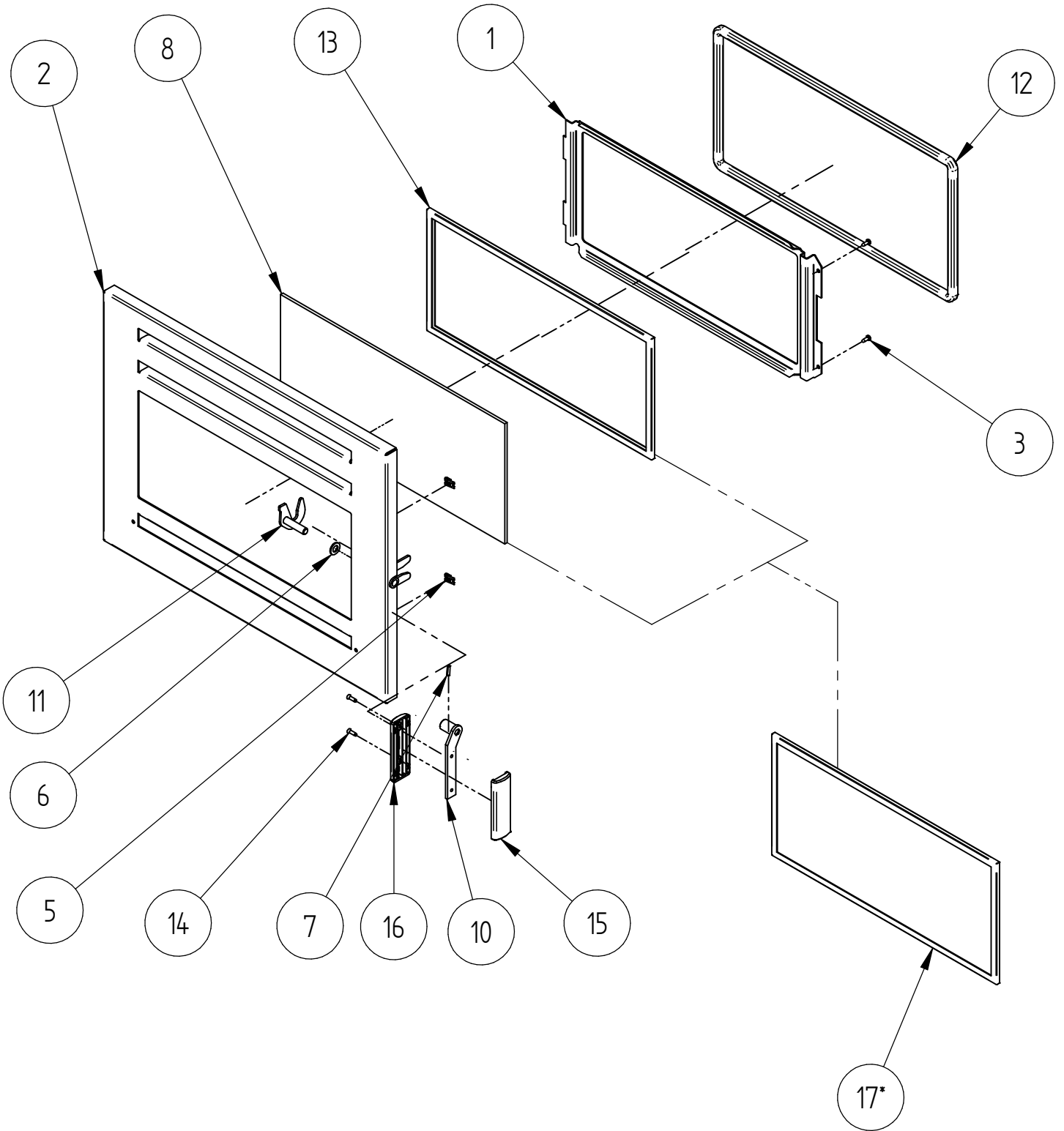


When ordering PLEASE QUOTE PART ID along with Finish Suffix (if applicable)

FIRE BOX : 994235								
Item	Part ID	Model(s)					Description	Qty
		987961	987963	987966	987967	987968		
1	986146	-	-	-	-	-	COVER - SECONDARY AIR	2
2	994215	-	-	-	-	-	BRACKET - MOUNTING RH F2000	1
3	994216	-	-	-	-	-	BRACKET - MOUNTING LH	1
4	994223	-	-	-	-	-	HINGE ASSY - F2000	1
5	994243	-	-	-	-	-	SECONDARY AIR TUBE ASSY - F2000	1
6	994246	-	-	-	-	-	PLATE - BASE AIR F2000	1
7	994700	-	-	-	-	-	DEFLECTOR ASSY- PRIMARY AIR F2000	1
8	684089	-	-	-	-	-	PLUG, 34DIAPITTS/FATSO/WFIRE	2
9	686101	-	-	-	-	-	F/B FRONT LE2000	1
10	687502	-	-	-	-	-	F/B TOP LE 2000	1
11	687504	-	-	-	-	-	F/B BOTTOM, LE2000	1
12	687595	-	-	-	-	-	F/B SIDE LH LE2000	1
13	687596	-	-	-	-	-	F/B SIDE RH LE2000	1
14	687805	-	-	-	-	-	F/B BACK F2000	1
15	521058	-	-	-	-	-	SCREW; M6X25 HEX ZP	4
16	521059	-	-	-	-	-	SCREW; M6X30 HEX ZP	2
17	521066	-	-	-	-	-	SCREW; M8X20 HEX ZP	6
18	521068	-	-	-	-	-	SCREW; M8X30 HEX ZP	2
19	521601	-	-	-	-	-	SCREW; S/T 1/4"X1/2" HEX FLANGE ZP	6
20	522117	-	-	-	-	-	NUT; HEX STD M6 ZP	13
21	522118	-	-	-	-	-	NUT; HEX STD M8 ZP	8
22	523007	-	-	-	-	-	WASHER; FLAT 1/4"X5/8"X0.049" ZP	12
23	523034	-	-	-	-	-	WASHER; FLAT M8X19X1.6 ZP	2
24	523035	-	-	-	-	-	WASHER; FLAT M8X22X3 HVY ZP	2
25	525007	-	-	-	-	-	PIN; TENSION 8X20 BLK BISSELL 001791	4
26	984598	-	-	-	-	-	ROD; TIE M6X 425	4
27	521060	-	-	-	-	-	SCREW; M6X35 HEX ZP	3
28	523031	-	-	-	-	-	WASHER; FLAT M6 ZP	3

When ordering PLEASE QUOTE PART ID along with Finish Suffix (if applicable)

DOOR ASSEMBLY



When ordering PLEASE QUOTE PART ID along with Finish Suffix (if applicable)

DOOR ASSEMBLY - 994204 & 994212								
Item	Part ID	Model(s)					Description	Qty
		987961	987966	987963	987967	987968		
		994204		994212				
1	986546	-	-	-	-	-	RETAINER - GLASS, LE PROV	1
2	994220	V05	V05	E01	E01	E01	PANEL-DOOR ASSY F2000	1
3	521619	-	-	-	-	-	SCREW; S/T 8GX1/2" PAN POZI ZP	2
5	522401	-	-	-	-	-	NUT; SPIRE SNJ 0116/17/4/6	2
6	523021	-	-	-	-	-	WASHER; FLAT M10X19X1.6 ZP	1
7	525001	-	-	-	-	-	PIN; TENSION 4X16 BLK	1
8	584591	-	-	-	-	-	GLASS-W/FIRE LE 2000 5X458X213 N-ZERO	1
10	996616	-	-	-	-	-	PLATE - HANDLE ASSY	1
11	994533	-	-	-	-	-	LATCH-DOOR ASSY 10MM BLK ZINC	1
12	C15MMDR	-	-	-	-	-	DOOR ROPE	1
13	C20MMLT	-	-	-	-	-	TAPE ,FLT 3 X 20 LDR AD BLK X 50m ROLL	1
14	521650	-	-	-	-	-	SCREW; 6GX1/2" S/S TYPE 25 C/S POZI	2
15	593598	-	-	-	-	-	I3000 DOOR HANDLE FRONT RH PLASTIC	1
16	593599	-	-	-	-	-	DOOR HANDLE REAR L/H PLASTIC	1
17*	784591	-	-	-	-	-	DOOR GLASS KIT	1

***Optional Sale Kit**

Note: Mar 14 onwards old wooden handles were replaced by 2-piece plastic handles.

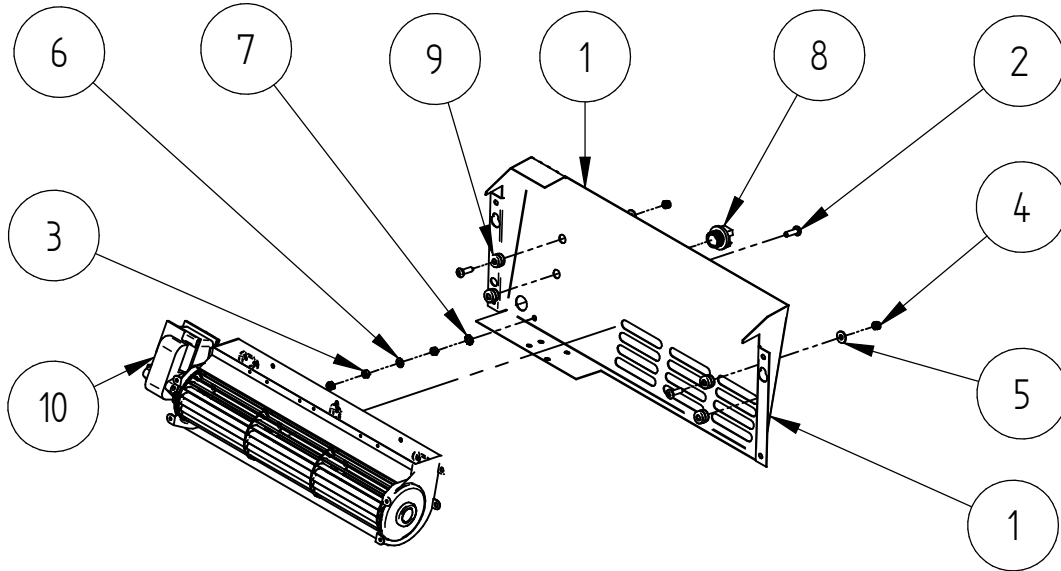
Old wooden handle parts:

1 X 586161 Door Handle

2 X 521628 Screws

Contact Customer service/Engineering Dept. for other parts of wooden handle system (Issue A).

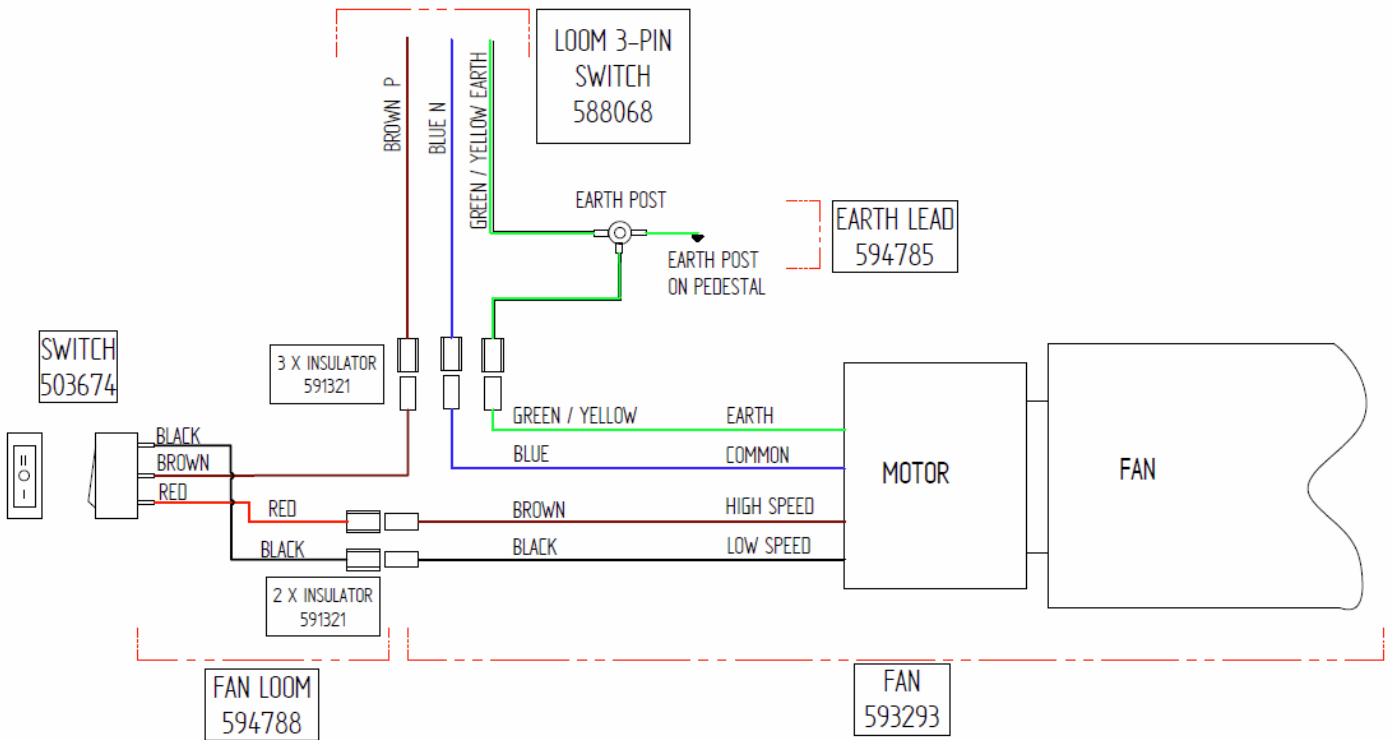
FAN BOX ASSEMBLY



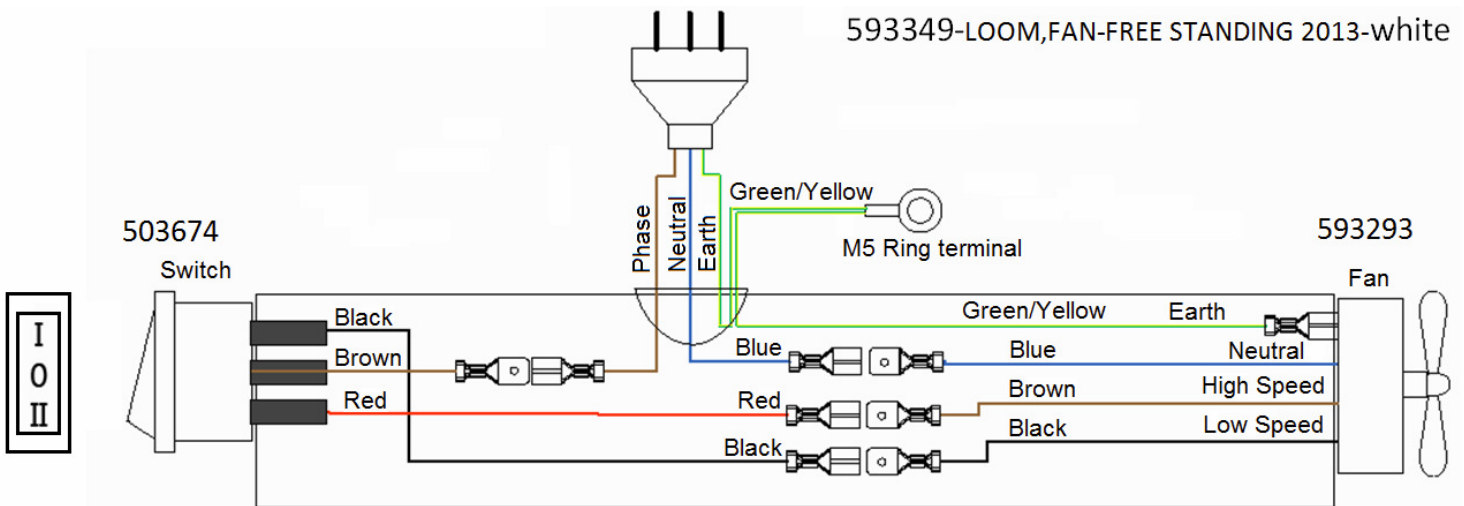
F2000 FAN BOX ASSEMBLY								
Item	Part ID	Model(s)					Description	Qty
		987961	987963	987966	987967	987968		
1	994266	-N/A-	-N/A-	P02	P02	P02	PANEL FAN MOUNT F2000	1
2	521033			-	-	-	SCREW; M5X16 PAN POZI BLK	3
3	522106			-	-	-	NUT; HEX STD M5 ZP	2
4	522305			-	-	-	NUT; NYLOCK M5 ZP	3
5	523000			-	-	-	WASHER; FLAT 3/16"X1/2"X18G ZP	2
6	523028			-	-	-	WASHER; FLAT M5 BRS	1
7	523204			-	-	-	WASHER; STAR M5 EXT	1
8	529201			-	-	-	CLAMP; CABLE 16 LITTLE GRIPPER	1
9	529402			-	-	-	GROMMET; 14X6	4
10	593293			-	-	-	FAN-2 SP TANG W/F INB FERGAS 76118	1

When ordering PLEASE QUOTE PART ID along with Finish Suffix (if applicable)

FAN LOOM DIAGRAM



FAN WIRING DIAGRAM W/F FREESTANDING 2011 - 2013 (AUSTRALIAN MODELS ONLY)



FAN WIRING DIAGRAM W/F FREESTANDING 2013 ONWARDS

When ordering PLEASE QUOTE PART ID along with Finish Suffix (if applicable)

NOT ILLUSTRATED								
Item	Part ID	Model(s)					Description	Qty
		994964	994969	987966	987967	987968		
1	587853	-	-	-	-	-	INSTRUCTION - BRICK LAYOUT	1
2	593286	-	-	-	-	-	OWNER MANUAL WOODFIRES 2010	1
3	593287	-	-	-	-	-	INSTALL MANUAL WOODFIRES 2010	1
4	594259	-	-	-	-	-	F2000 INSTALLATION DATA SHEET	1

SURFACE FINISH CODES FOR PANELS							
VITREOUS ENAMEL		VHT PAINT(Very High Temp)			POWDER COAT		
E01	MATT BLACK	V02	P-000022	METALLIC BLACK		P02	MATT BLACK
E02	GLOSS BLACK	V03	P-000043	CHARCOAL		P03	CHARCOAL
E03	CHARCOAL	V04	P-000081	TITANIUM		P05	SATIN BLACK
		V05	P-000051	CHARCOAL (DAM MET BLK)		P09	METTALIC BLACK
		V06	P-000052	METALLIC BLACK ZINC			

LESS FREQUENTLY OR OLD SURFACE FINISH CODES FOR PANELS							
VITREOUS ENAMEL		VHT PAINT(Very High Temp)			POWDER COAT		
E04	JASMINE	V01		SATIN BLACK HIGH TEMP		P01	BLUE/BLACK
						P04	GLOSS CHARCOAL
						P07	FLAT BLACK

When ordering PLEASE QUOTE PART ID along with Finish Suffix (if applicable)